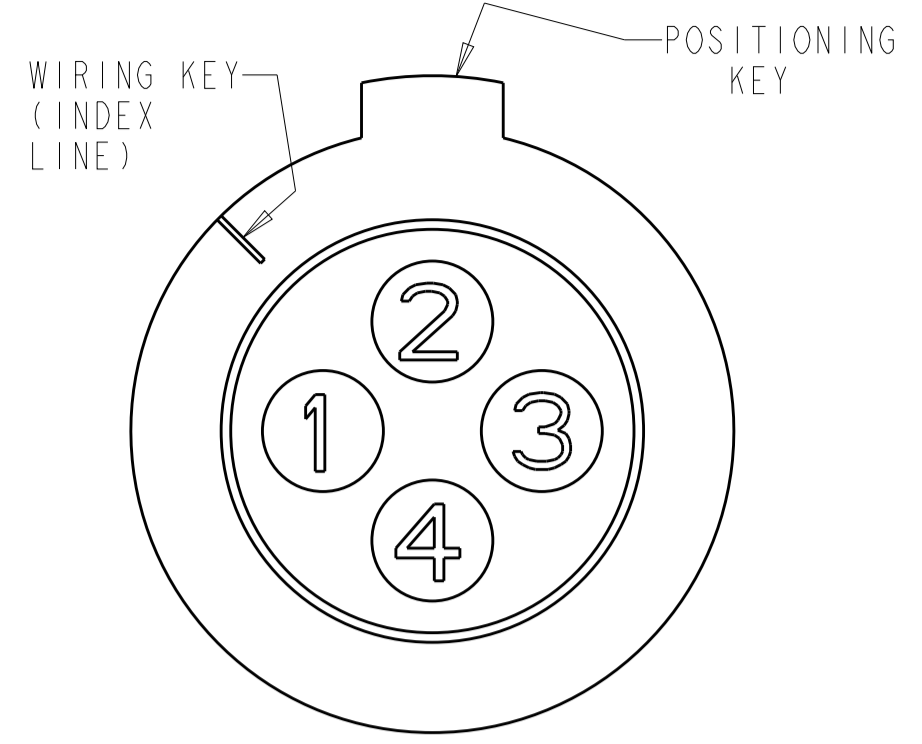


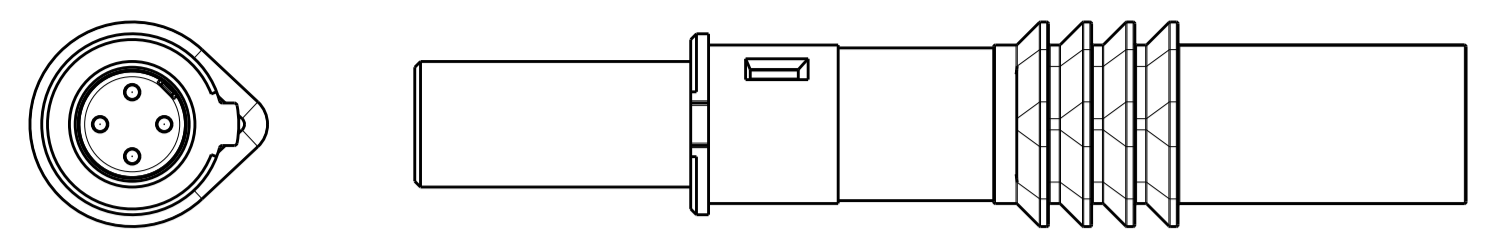
REVISIONS				
P.	LTH	DESCRIPTION	DATE	APVD
C	REV PER ECO-15-012764		12OCT2015	KG DM



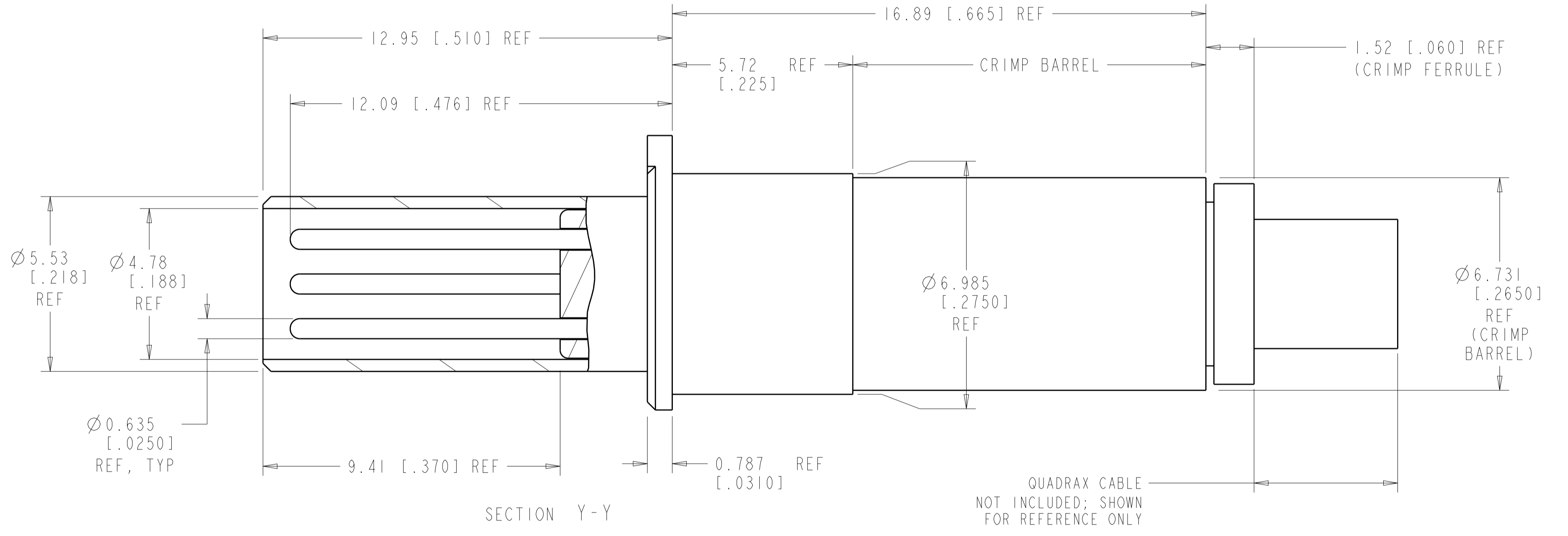
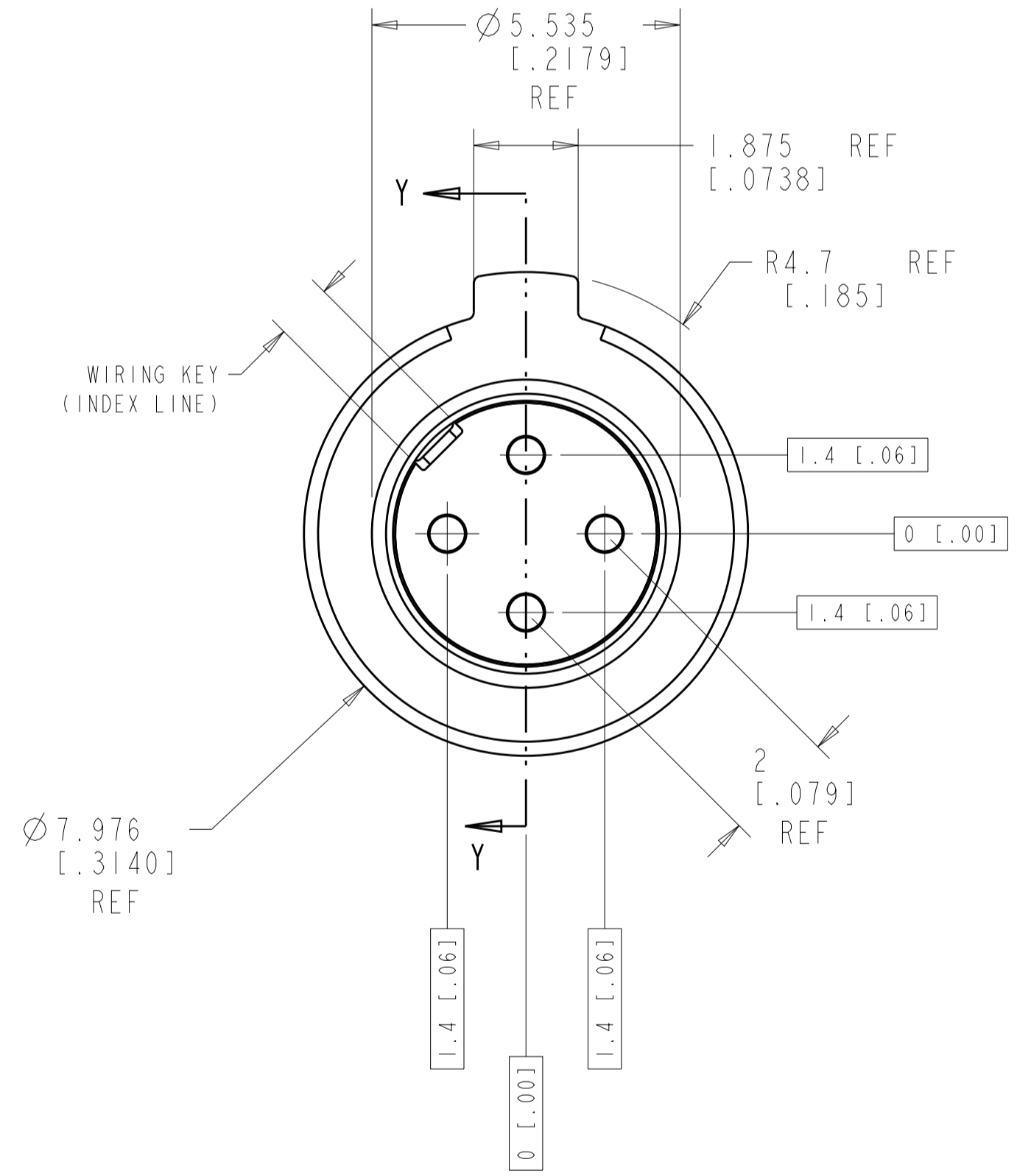
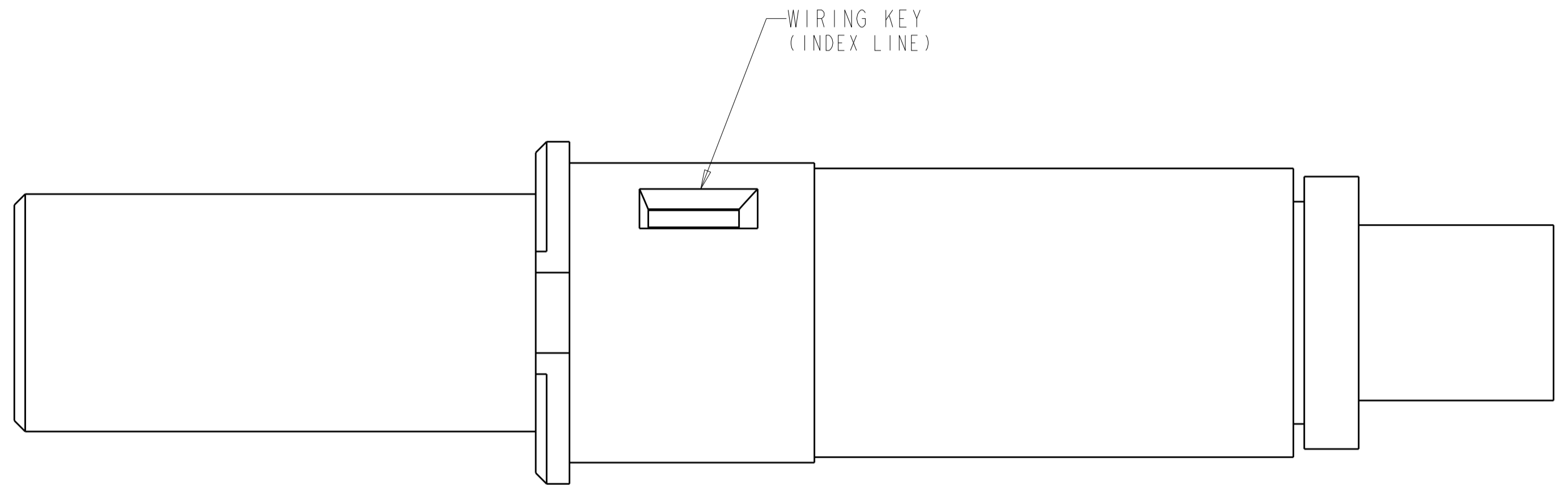
Rx-	4
Tx-	3
Rx+	2
Tx+	1
SIGNAL ALLOCATION	CAVITY NUMBER

MATING FACE VIEW

CONTACT CAVITY NUMBERING
 STANDARD CAVITY NUMBER ASSIGNMENT



1877039-2
 SCALE 3:1



BLUE	SAME AS -1 EXCEPT WITH WIRE SEAL	1877039-2
--	AS SHOWN; WITHOUT WIRE SEAL	1877039-1
SEAL COLOR	DESCRIPTION	PART NO.

1. COMPONENTS ARE PACKAGED IN KIT FORM. CABLE MUST BE PURCHASED SEPARATELY. .231 HEX CRIMP WILL ALLOW ASSEMBLY OF SOME 150 OHM CABLES. REFERENCE CABLES: TENSOLITE 26473/02006X-4(LD), RAYCHEM CEC-RWC-18684, RAYCHEM CEC-RWC-18680
2. ASSEMBLY PER APPLICATION SPECIFICATION 114-13123. (.231 HEX CRIMP)
3. USE INSERTION-EXTRACTION TOOL 1738894-1.

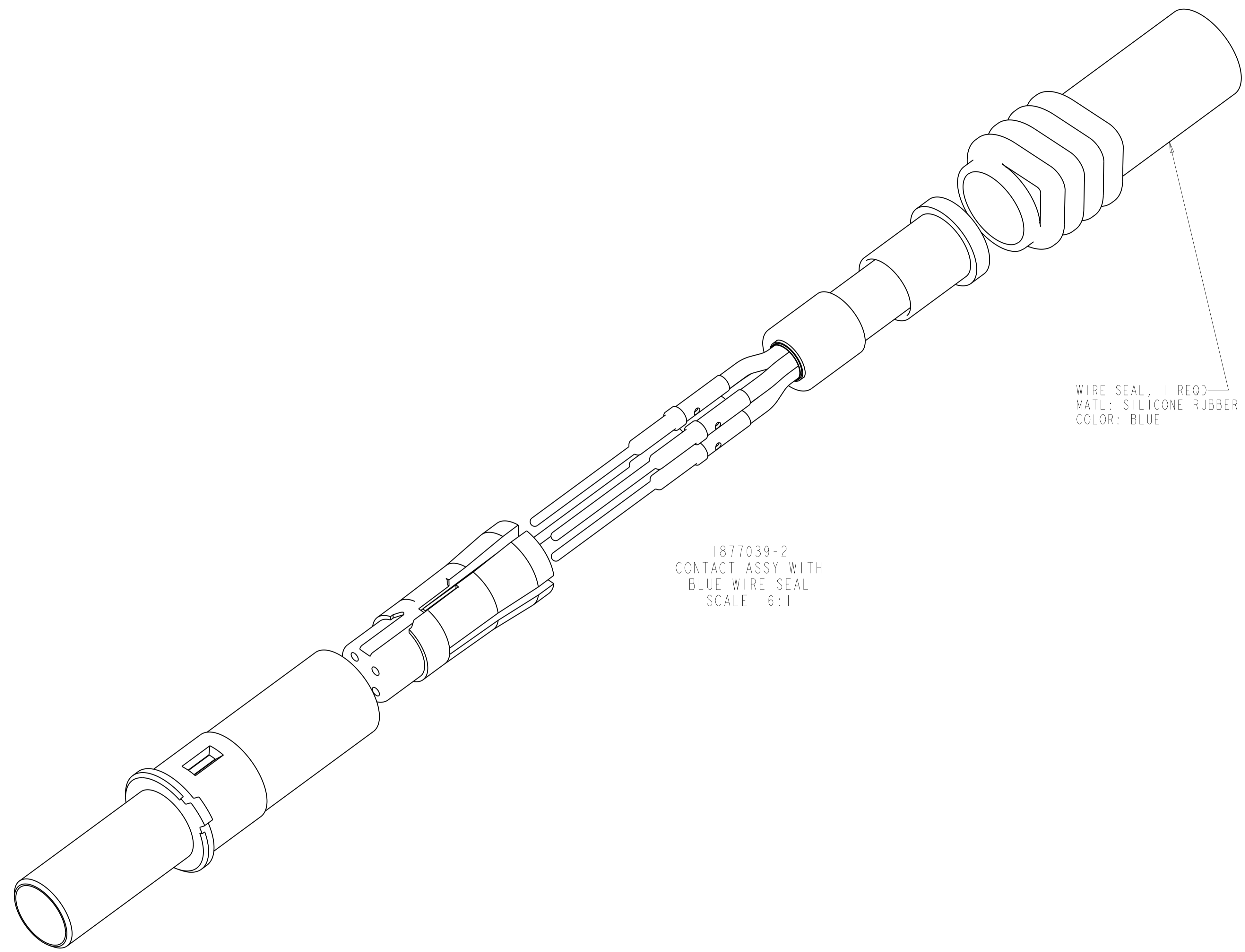
THIS DRAWING IS A CONTROLLED DOCUMENT.

DIMENSIONS:	mm [INCH]	TOLERANCES UNLESS OTHERWISE SPECIFIED:	0 PLC ±.013 [0.005] 1 PLC ±0.2 [0.08] 2 PLC ±0.13 [0.051] 3 PLC ±0.051 [0.002] 4 PLC ±.013 [0.005] ANGLES ±.013 [0.005]	FINISH	WTG	Customer Drawing
-------------	-----------	--	--	--------	-----	------------------

DWN: BH, CHK: RW, APVD: RW, PRODUCT SPEC: 04MAY05, APPLICATION SPEC: 04MAY05, SIZE: A1, SCALE: 2:1, SHEET: 1 OF 2, REV: C
STE TE Connectivity
 NAME: ASSEMBLY, PIN, QUADRAx, 2mm SQ, AIRCRAFT DATA NETWORK, RR/RR WITH PIN CONTACTS, .231 HEX CRIMP

THIS DRAWING IS UNPUBLISHED. RELEASED FOR PUBLICATION 20
COPYRIGHT 20 BY - ALL RIGHTS RESERVED.

REVISIONS				
P.	LTN	DESCRIPTION	DATE	APP'D
-	-	SEE SHEET 1	-	-



1877039-2
CONTACT ASSY WITH
BLUE WIRE SEAL
SCALE 6:1

WIRE SEAL, 1 REQD
MATL: SILICONE RUBBER
COLOR: BLUE

THIS DRAWING IS A CONTROLLED DOCUMENT.		DWN: 04MAY05	
DIMENSIONS: mm [INCH]		CHK: 04MAY05	
TOLERANCES UNLESS OTHERWISE SPECIFIED:		RW: 04MAY05	
0 PLC ±.013 (1.0051) 1 PLC ±0.2 (1.0083) 2 PLC ±0.13 (1.0051) 3 PLC ±0.051 (1.0023) 4 PLC ±. ANGLES ±. FINISH ±.		APVD: 04MAY05	
MATERIAL: -	FINISH: -	WEIGHT: -	NAME: ASSEMBLY, PIN, QUADRAX, 2mm SQ, AIRCRAFT DATA NETWORK, RR/RR WITH PIN CONTACTS, .231 HEX CRIMP SIZE: A1 CAGE CODE: - DRAWING NO: 1877039 RESTRICTED TO: - Customer Drawing SCALE: 2:1 SHEET 2 OF 2 REV C